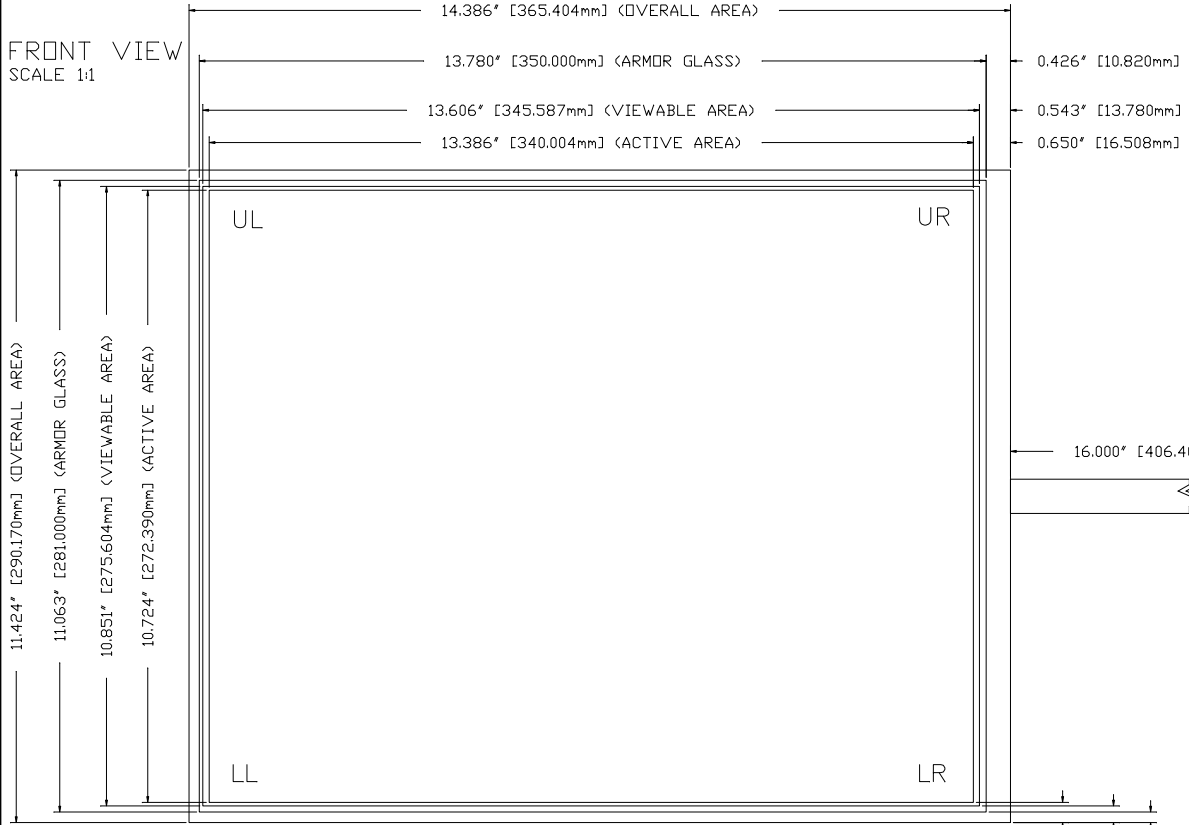


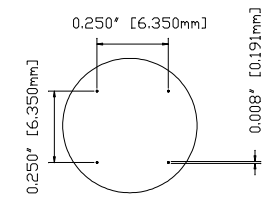
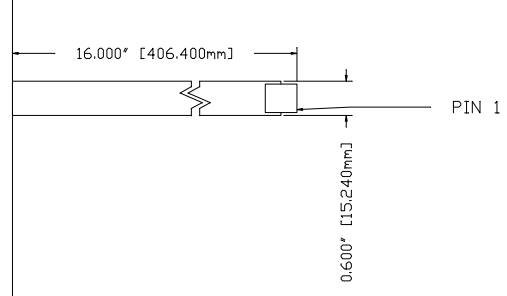
NOT FOR CONSTRUCTION PURPOSES. THIS DRAWING IS THE PROPERTY OF AD METRO. IT IS TO BE USED ONLY FOR THE PROJECT AND SITE SPECIFICALLY IDENTIFIED IN THE TITLE BLOCK. ANY REUSE OR MODIFICATION OF THIS DRAWING WITHOUT THE WRITTEN PERMISSION OF AD METRO IS STRICTLY PROHIBITED.

REVISIONS			
LET	DESCRIPTION	DATE	BY
A	INITIAL RELEASE	12-18-09	DZ

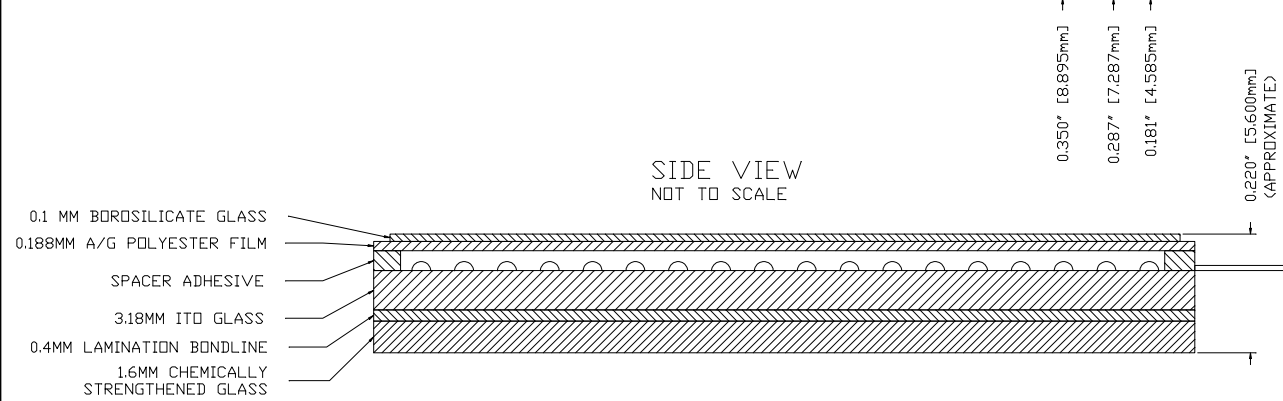
FRONT VIEW  
SCALE 1:1



PIN	X1
1	LL
2	UL
3	SENSE
4	LR
5	UR



DETAIL A - DOT SPEC  
SCALE 5:1



SIDE VIEW  
NOT TO SCALE

NOTES:

1. SUBSTRATE: 3.18MM ITO GLASS.
2. ALL DIMENSIONS IN INCHES [MILLIMETERS].
3. SAFETY SEAM ON ALL EDGES.
4. CABLE: 5-PIN FFC TYPE .
5. CONNECTOR: AMP TYPE WITH 0.1" [2.54MM] CENTERS, NON LATCHING, PART NUMBER 487378-4.
6. TOUCH SCREEN TO BE ACTIVATED WITHIN ACTIVE AREA ONLY. AREA BETWEEN ACTIVE AND VIEWABLE AREAS MUST HAVE A SCREENED ON DIELECTRIC.
7. TOTAL SENSOR THICKNESS: 0.220" [5.600MM].
8. LINEARITY PATTERN: PEPPER.

TOLERANCING  
UNLESS OTHERWISE SPECIFIED  
DIM. AS SHOWN  
3D NET SCALE DRAWING

		A 3 METRO - 1881 PARISEN ST - OTTAWA, ONTARIO	
AD17.1ULTRA			
DRAWN BY: DZ	PROJECT/SET NO.:	SHEET: SCALE	
DATE: 12-18-09	PROJECT NAME:	SHEET: 1	SHEETS: 1
PART NO.:		3A99180-C16	